



HELIOS RENEWABLE
ENERGY
PROJECT

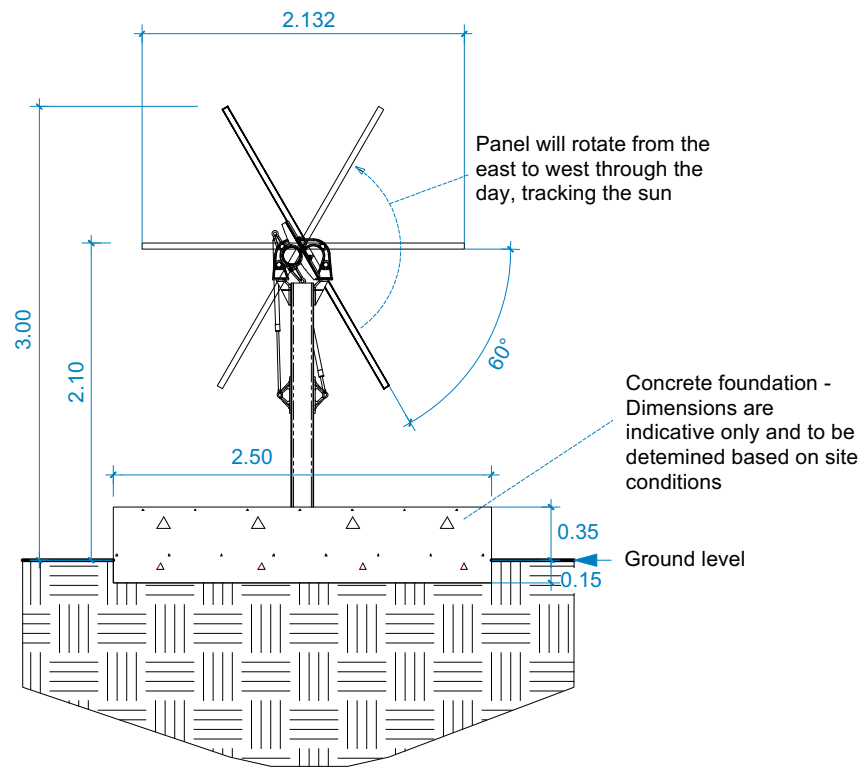
PINS Document Number:
EN010140/APP/6.2.3.17

Pursuant to:
APFP Regulation 5(2)(a)

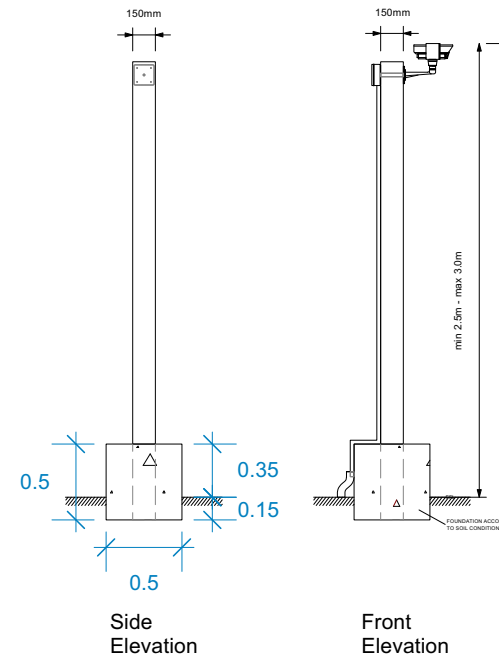
Environmental Statement Figure 3.17: Elevations with Archaeological Mitigation

June 2024

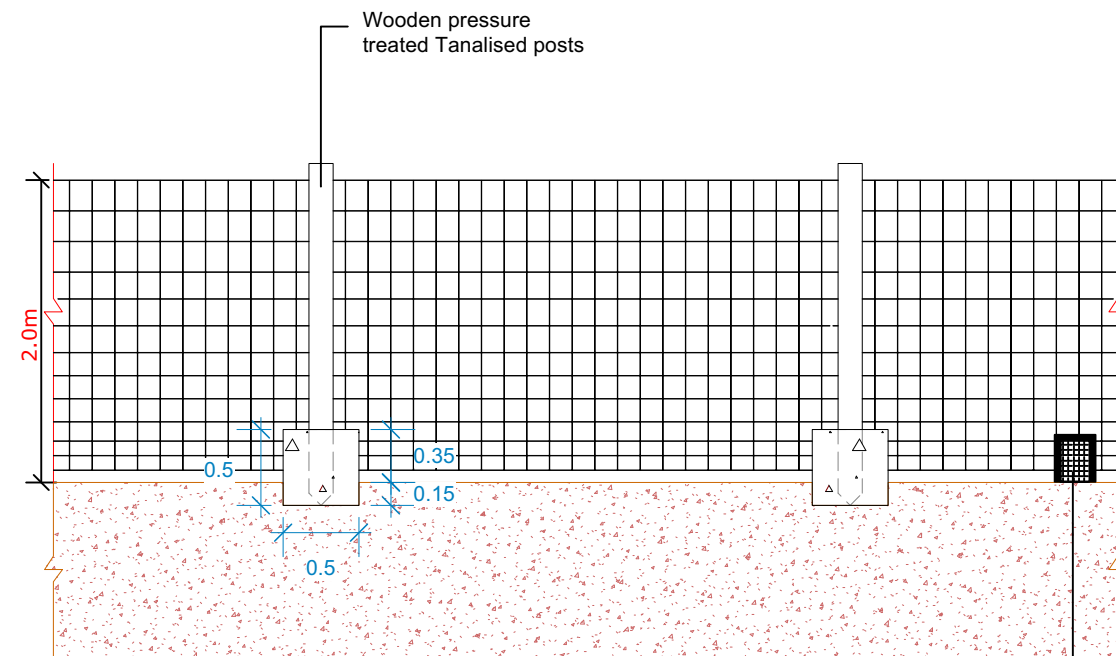




Solar Panel Side Elevation



CCTV Elevation



Fence Elevation



GENERAL NOTES:

1) ALL DIMENSIONS ARE IN METERS UNLESS SPECIFIED.

Revisions:
First Issue- 12/04/2023 JS

ALL DIMENSIONS TO BE CHECKED ON SITE WORK TO FIGURED DIMENSIONS ONLY REPORT DISCREPANCIES TO THE GFP AT ONCE BEFORE PROCEEDING COPYRIGHT ACT APPLIES.

© Enso Energy Ltd. Crown Copyright. All rights reserved. © 2023
Emapsite license number 0100031673



Enso Energy Limited, Unit 1 & 2 Cirencester Office Park,
Tetbury Road, Cirencester, GL7 6JJ
Tel: 01452 764685 Email: enquiries@ensoenergy.co.uk

Project Title:

Helios Renewable Energy Project

Drawing Title:

Figure 3.17
Elevations with Archaeological Mitigation

DRWG No: DX-01-P37	Rev: -	Sht no: -
Drawn by : JS	Checked by: KL	
Scale: 1:50 @ A3	Date: 12/04/2023	